

# LNB C-BAND DRO 8000I



## TYPICAL SPECIFICATIONS

Noise temperature maximum	15K to 25K depending on model number
L.O. stability maximum (over temperature)	±100 kHz to ±500 kHz depending on model number
Phase noise (SSB) maximum	-65 dBc/Hz at 1 kHz -80 dBc/Hz at 10 kHz -95 dBc/Hz at 100 kHz
Input VSWR maximum	2.0 : 1
Output VSWR maximum	2.5 : 1

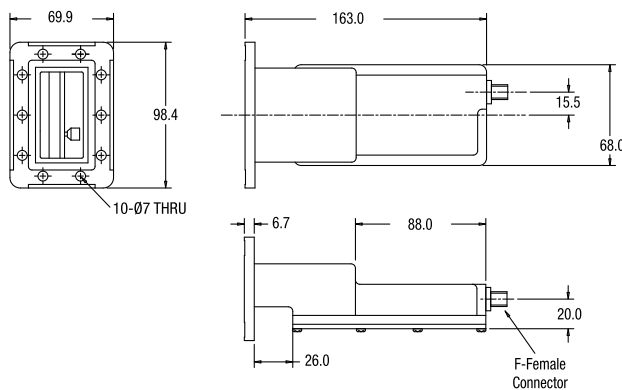
Conversion gain	55 dB min 70 dB max
Output P1dB minimum	5 dBm
Power requirements	+15 to +24 V supplied through center conductor of IF cable
Current drain maximum	200 mA
Dimensions	180 (L) x 100 (W) x 70 (H) mm (7.1 x 4.0 x 2.8 in)
Weight	425 g / 15 oz

## FREQUENCY BANDS AVAILABLE

Typical service	8000I
Input frequency (GHz)	4.50 to 4.80 GHz
L.O. frequency (GHz)	5.95 GHz
Output frequency (MHz)	1150 to 1450 MHz

## HOW TO ORDER C-BAND 8000I

<b>8525IN</b>	CONNECTOR .....	F - 75 Ohm N - 50 Ohm
	FREQUENCY.....	I - 4.5 - 4.8 GHz
	NOISE TEMPERATURE ....	15 - 15 K 20 - 20 K 25 - 25 K
	L.O. STABILITY .....	1 - ±100 kHz 2 - ±250 kHz 5 - ±500 kHz
	LNB SERIES #	



## MECHANICAL DIAGRAM



H-21, LIU  
Dubai Airport Freezone  
United Arab Emirates  
Tel: (+971) 4 2993935  
Fax: (+971) 4 2993936  
Email: [sales@vsatplus.com](mailto:sales@vsatplus.com)  
Website: [www.vsatplus.com](http://www.vsatplus.com)