

Ku-band 0.25W / 1W Block Upconverter

MODEL NO. NJT5032 / 32F

MODEL NO. NJT5034 / 34F



<Features>

- * Small Size & Light Weight
- * High Efficiency Output Power
(0.25W / 1W @P1dB over temperature)
- * Low Power Consumption
- * RoHS Compliance

<Line-Up>

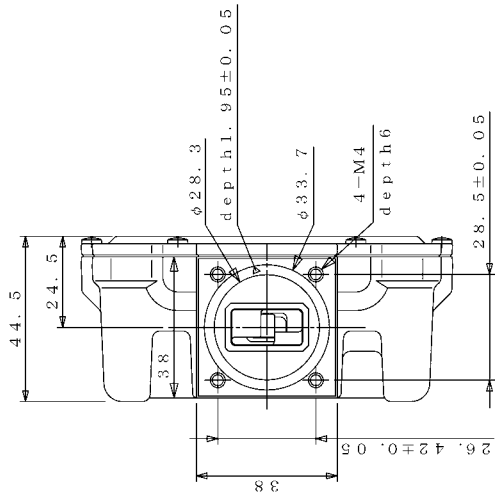
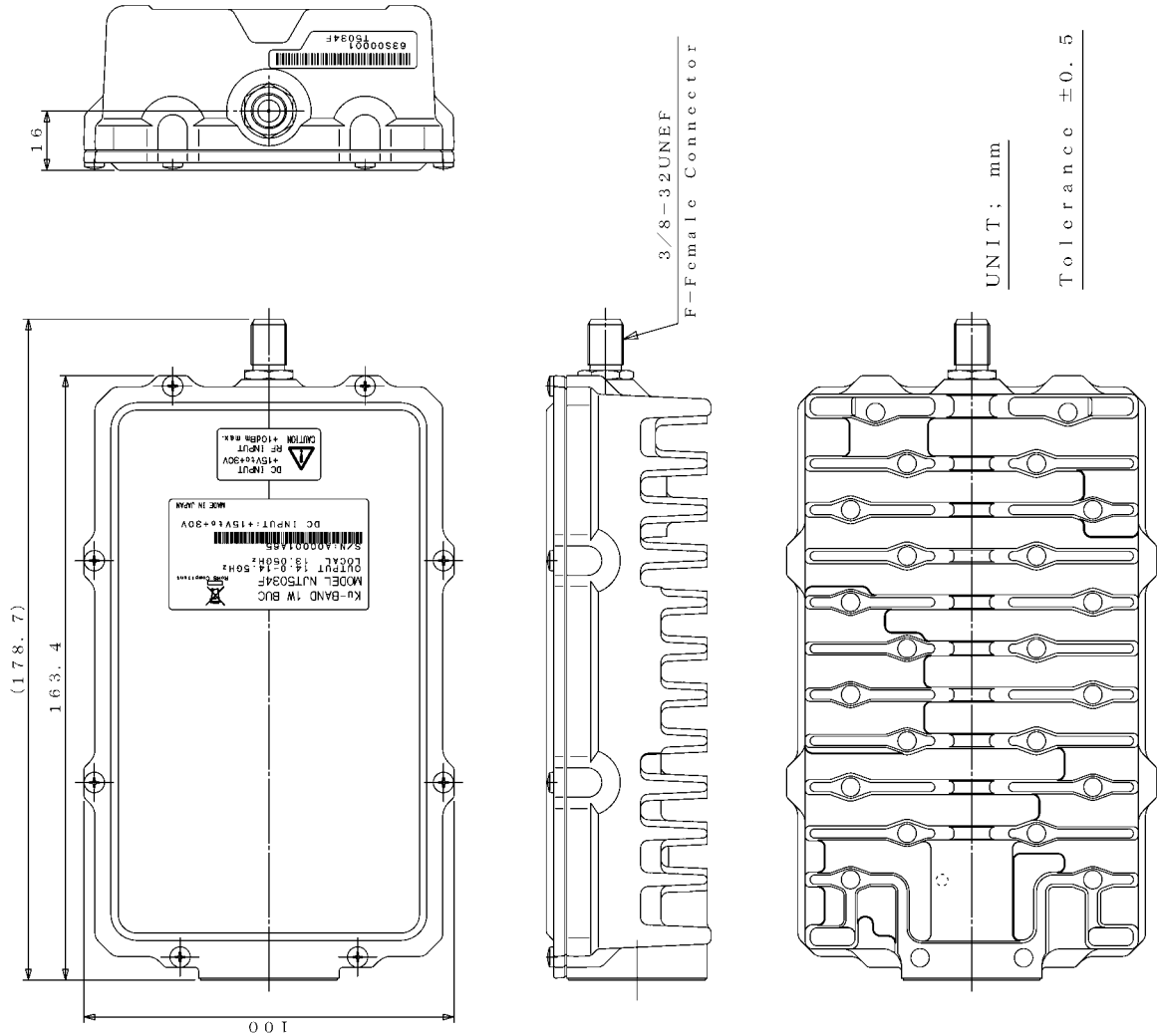
Model No.	RF Frequency	Local Frequency	IF Frequency	Output Power	Connector
NJT5032	14.0 to 14.5 GHz	13.05 GHz	950 to 1,450 MHz	0.25W (+24 dBm min.)	N-Type
NJT5032F					F-Type
NJT5034				1W (+30 dBm min.)	N-Type
NJT5034F					F-Type

<Specifications>

Item	Specifications
Output Interface	Waveguide, WR-75
Output Power @ P1 dB	+24 dBm minimum over temperature [NJT5032/32F] +30 dBm minimum over temperature [NJT5034/34F]
Conversion Gain	44 dB nom. [NJT5032/32F] 50 dB nom. [NJT5034/34F]
Phase Noise (SSB)	-60 dBc/Hz max. @ 100 Hz -70 dBc/Hz max. @ 1 kHz -80 dBc/Hz max. @ 10 kHz -90 dBc/Hz max. @ 100 kHz
Required External Reference Signal	Frequency: 10 MHz Input Power: -5 to +5 dBm Phase Noise: -125 dBc/Hz max. @ 100 Hz -135 dBc/Hz max. @ 1 kHz -140 dBc/Hz max. @ 10 kHz
Input Interface	N-type, female (50 ohm) [NJT5032/34] F-type, female (75 ohm) [NJT5032F/34F]
Input / Output V.S.W.R.	2.0:1 max. @ Input 2.0:1 max. @ Output
Mute	Shut off the HPA in case of LO unlocked
Power Requirement	+15 to +30 V dc
Power Consumption	12 W max. [NJT5032/32F] 18 W max. [NJT5034/34F]
Operating Temperature	-40 to +55 degrees C
Storage Temperature	-40 to +75 degrees C
Size	178.7 mm (L) x 100 mm (W) x 44.5 mm (H) [7.04" (L) x 3.94" (W) x 1.75" (H)] (NJT5032F/34F)
Weight	1.0 kg max. [2.2 lbs]

<Outline Drawing>

(F-type Female Input Connector): NJT5032F/34F



JRC *New Japan Radio Co., Ltd.*

vsatplus

Alqazi Bldg., Office 313
 Salahuddin St., Behind Claridge
 Hotel, P.O. Box: 1896
 Dubai, UAE

Tel. +9714 272 6722
 Fax. +9714 272 6738
sales@vsatplus.com
www.vsatplus.com