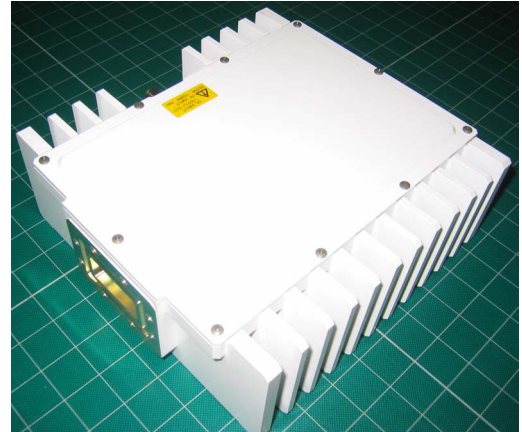


C-band 5W Block Upconverter

MODEL NO. NJT5669 / 69F

XC-band 5W Block Upconverter

MODEL NO. NJT5670 / 70F



< Features >

- * Small Size & Light Weight
- * High Efficiency Output Power
(5 W minimum @P1dB over temperature)
- * Low Power Consumption

<Line-Up>

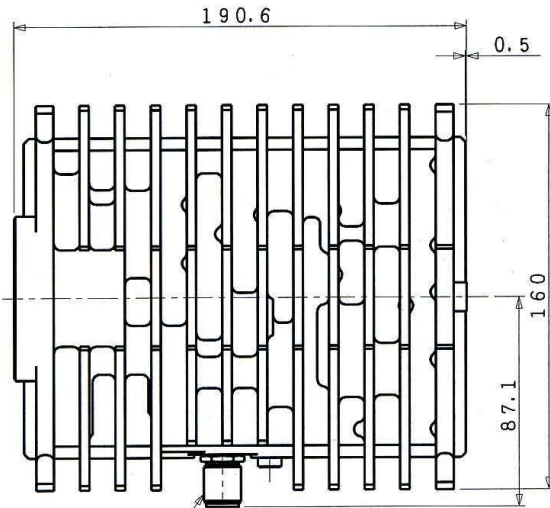
| Model No. | RF Frequency | Local Frequency | IF Frequency | Output Power | Connector |
|-----------|--------------------|-----------------|------------------|--------------------------------|-----------|
| NJT5669 | 5.850 to 6.425 GHz | 4.90 GHz | 950 to 1,525 MHz | 5W Linear (+37 dBm min.) | N-Type |
| NJT5669F | | | | | F-Type |
| NJT5670 | 6.725 to 7.025 GHz | 5.76 GHz | 965 to 1,265 MHz | | N-Type |
| NJT5670F | | | | | F-Type |

<Specifications>

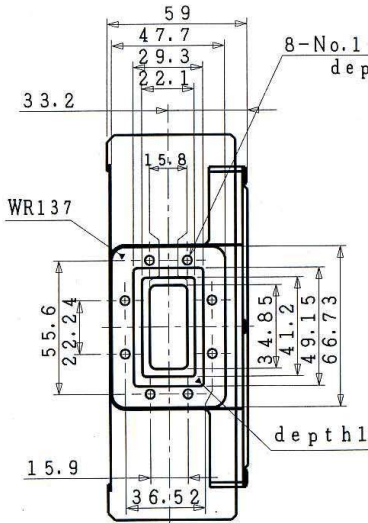
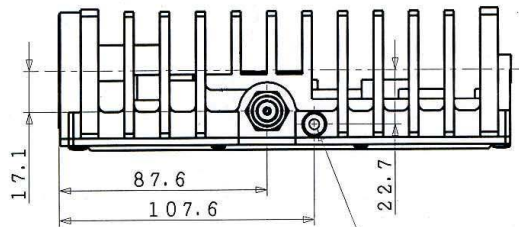
| Item | Specifications |
|------------------------------------|--|
| Output Interface | CPR 137-G (Grooved) with Flange |
| Output Power @ P1 dB | +37.0 dBm minimum over temperature |
| Conversion Gain | 58 dB nom. |
| Phase Noise (SSB) | -60 dBc/Hz max. @ 100Hz -70 dBc/Hz max. @ 1kHz -80 dBc/Hz max. @ 10kHz -90 dBc/Hz max. @ 100kHz |
| Input Interface | N-type, female (50 ohm) [Model No. NJT5669 / NJT5670] F-type, female (75 ohm) [Model No. NJT5669F / NJT5670F] |
| Required External Reference Signal | Frequency : 10 MHz Input Power: -5 to +5 dBm Phase Noise: -135 dBc/Hz @ 100Hz -140 dBc/Hz @ 1kHz -143 dBc/Hz @ 10kHz -143 dBc/Hz @ 100kHz |
| Mute | Shut off the HPA in case of LO unlocked |
| Input / Output V.S.W.R. | 2.0:1 max. @ Input 2.0:1 max. @ Output |
| Power Requirement | +15 to +24 V dc |
| Power Consumption | 55 W max. |
| Operating Temperature | -40 to +55 degrees C |
| Storage Temperature | -40 to +75 degrees C |
| Size & Weight | 190.6 mm (L) x 167.1 mm (W) x 59 mm (H), 2.54 kg max. [7.50" (L) x 6.58" (W) x 2.32" (H)] [5.6 lbs] |

<Outline Drawing>

PRELIMINARY



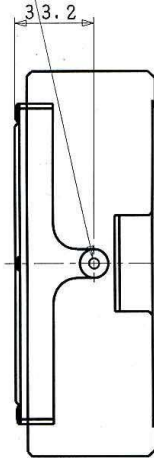
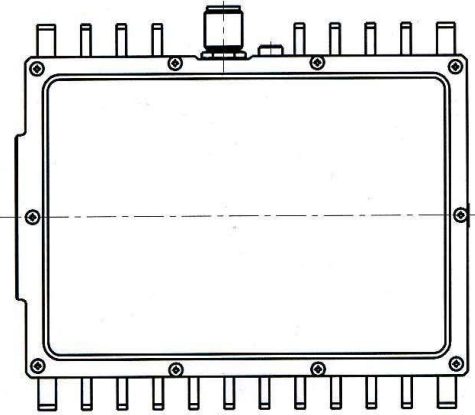
N-Female Connector
5/8-24UNEF



8-No.10-32UNF
depth 6

Grounded hole
No.10-32UNF
depth 6

No.10-32UNF
depth 6



JRC *New Japan Radio Co., Ltd.*

Unit : mm

* For detailed specifications, please contact us.



Alqaizi Bldg., Office 313
Salahuddin St., Behind Claridge
Hotel, P.O. Box: 1896
Dubai, UAE

Tel. +9714 272 6722
Fax. +9714 272 6738
sales@vsatplus.com
www.vsatplus.com